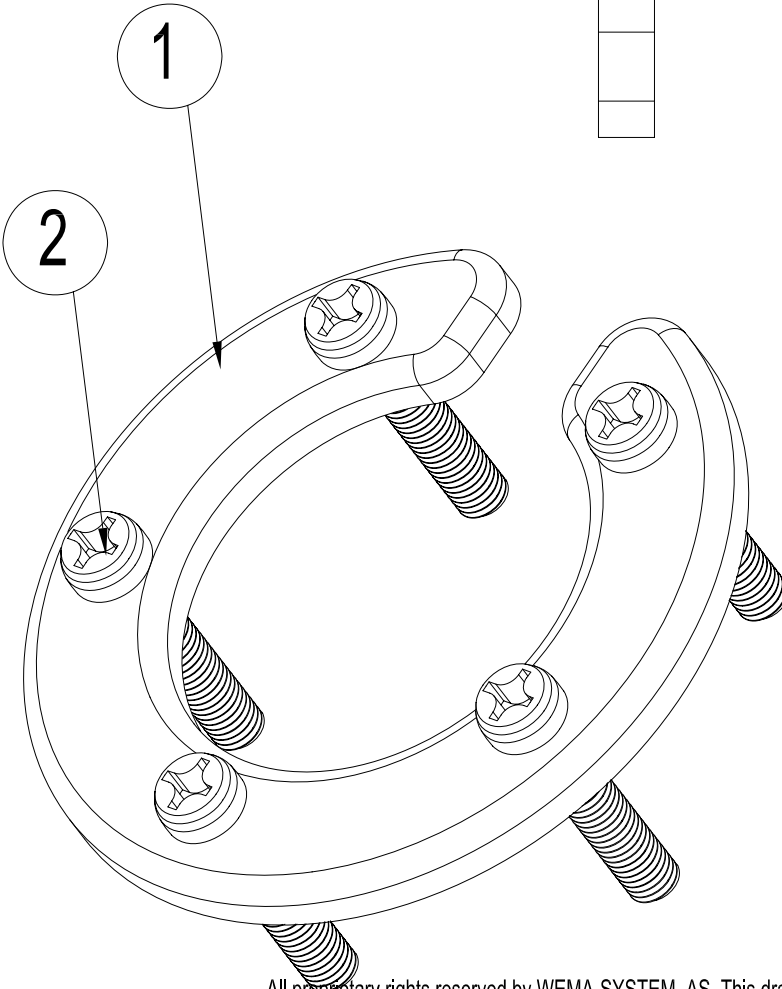
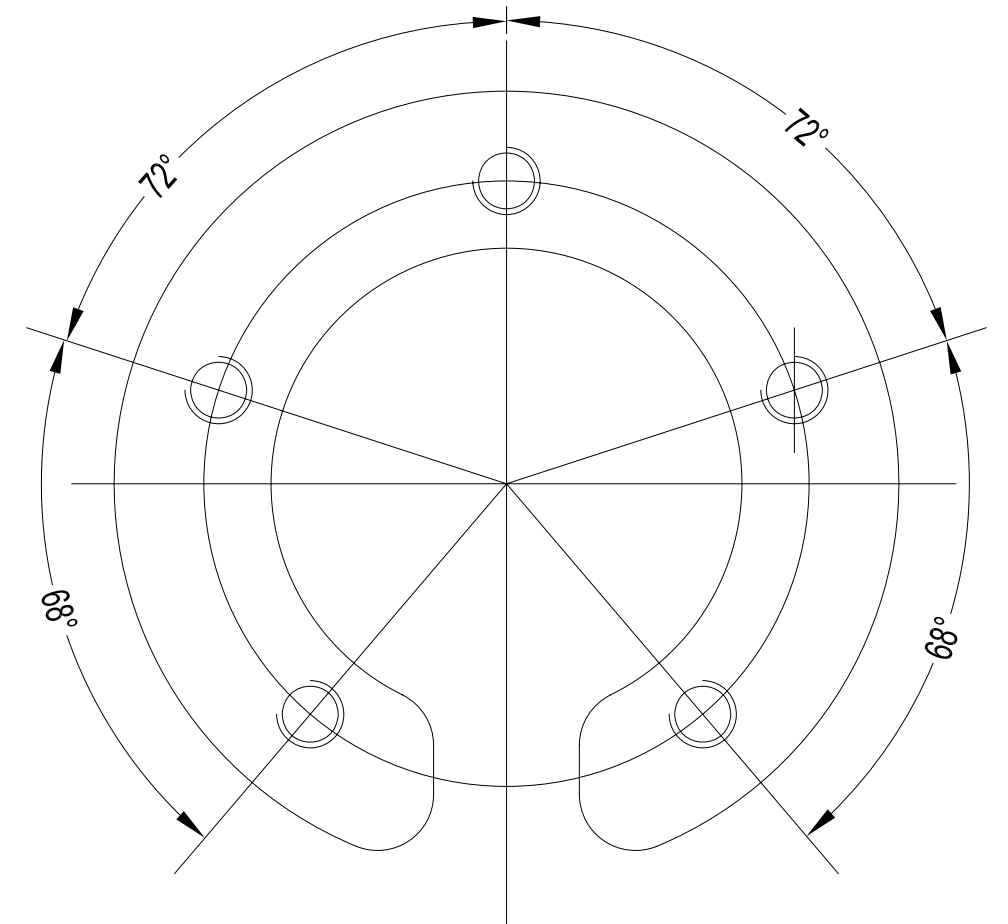
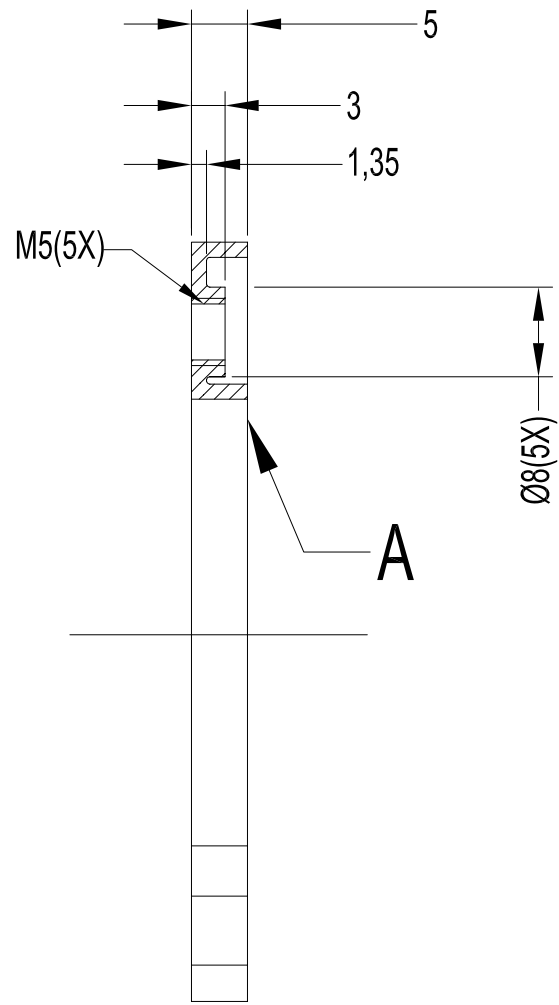
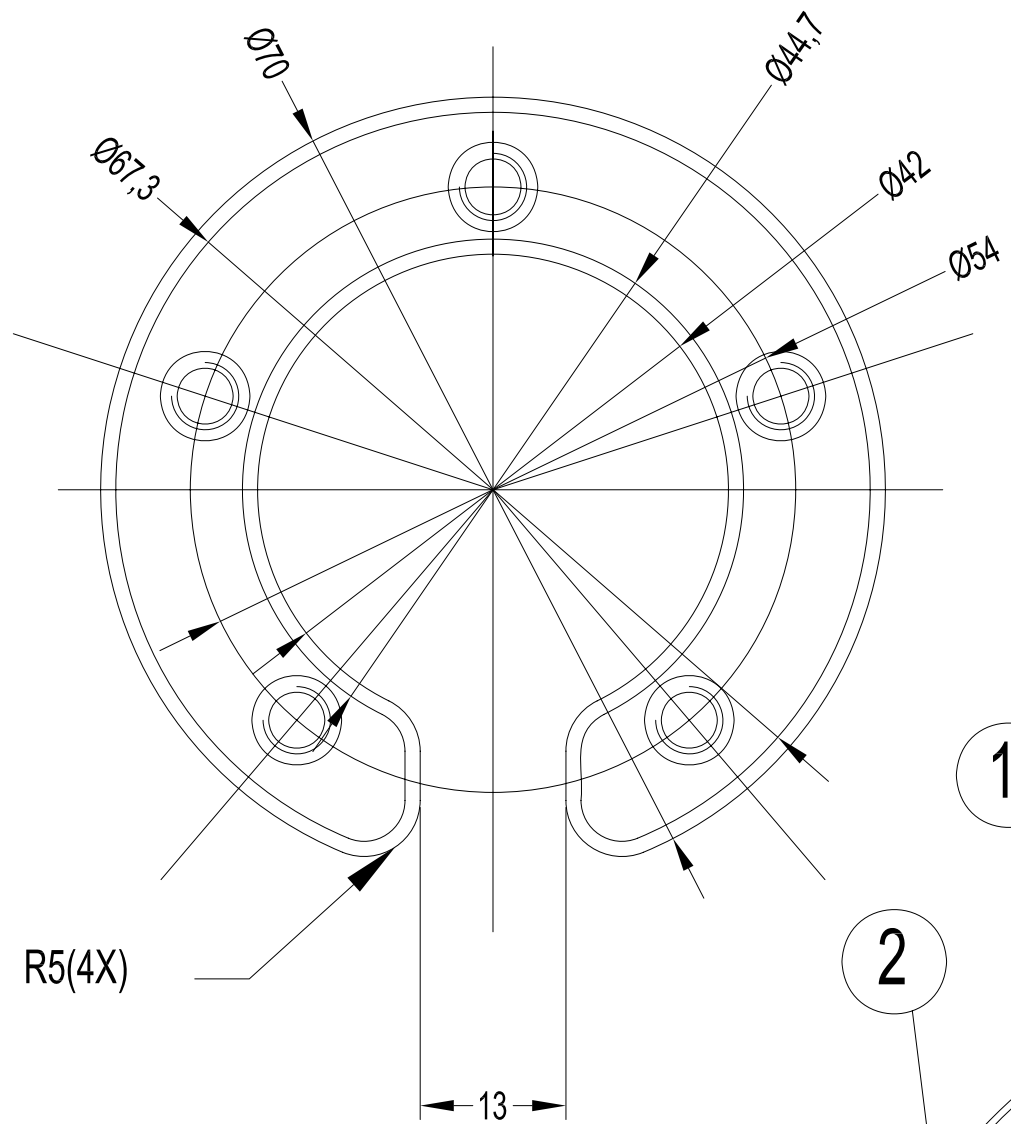
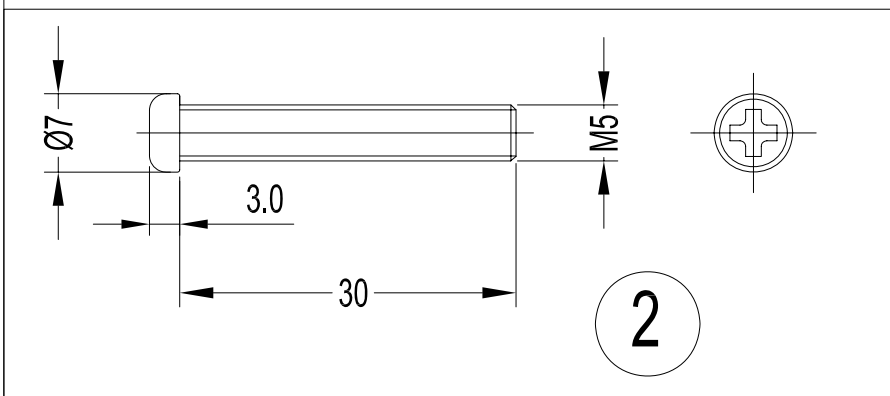


ISSUE	DATE	CHANGE-CH.NOTE NO	DRAW
02	04.02.16	TEXT FOR MATERIAL	JKV
03	08.03.08	add 5 pcs of screw	music



POS. NO.	QTY.	NAME, TYPE	DRAW. NO.	MATERIAL	SUPPLIER / SPECIFICATION
2	5	Screw	022135	SUS316	M5*30(small head)
1	1	FLS-U	163303	SUS316	

PROJECT:		MATERIAL: SUS316				
TOLERANCE:		ISO 2768 m	SURFACE ROUGHNESS:	PROJ.	SCALE:	
			R _a = 12.5		1:1	
DATE	NAME	FLS-U Ø54MM DRAWING NO, ART. NO./REF: 163303				
DRAW	04.02.19					JKV
CHECK						
STAND			ISSUE: 03			
UNIT	MM	COLOUR	COLOUR	PAGE:		
WEMA-CHINA		DRAWING NO, ART. NO./REF:		ISSUE: 03		
		163303		PAGE:		
ORIGIN		REPLAC. FOR:		REPLAC. OF:		



All proprietary rights reserved by WEMA-SYSTEM AS. This drawing is not to be reproduced or in any way utilized for the manufacture of a component or unit herein illustrated, and may not be released to other parties, without written consent by WEMA-SYSTEM AS. Any infringement will be legally pursued. Site of court is Bergen, Norway.

TOLERANCE CLASS	FROM 0.5 UP TO 3	FROM 3 UP TO 6	FROM 6 UP TO 30	FROM 30 UP TO 120	FROM 120 UP TO 400	FROM 400 UP TO 1000
ISO2768 M	±0.1	±0.1	±0.2	±0.3	±0.5	±0.8