

# WEMA-SYSTEM AS

MOUNTING INSTRUCTION

FUEL, WATER, BLACKWATER, TEMPERATURE, PRESSURE

A 2003

FIG. 1  
GAUGE MOUNTING 12 V

1	Red	Rød	Rot	Rouge	Rojo	
2	Blue	Blå	Blau	Blue	Azul	
3	Red/White	Rød/Hvit	Rot/Weiss	Rouge/Blanc	Rojo/Blanco	
4	Yellow/White	Gul/Hvit	Gelb/Weiss	Jaune/Blanc	Amarillo/Blanco	
5	Black	Svart	Schwarz	Noir	Negro	

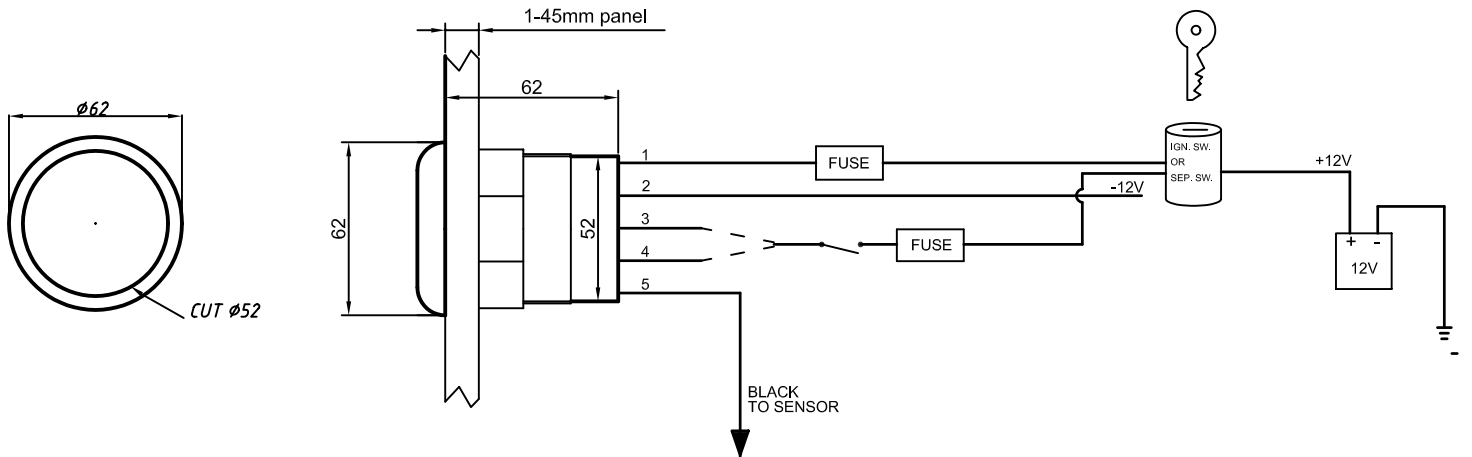


FIG. 2  
GAUGE MOUNTING 24 V

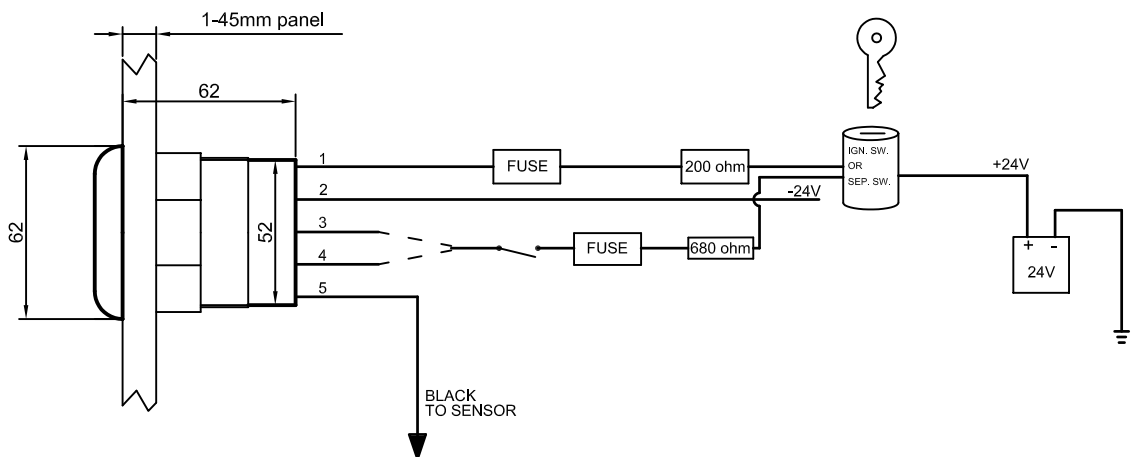


FIG. 3  
SENSOR CONNECTION

