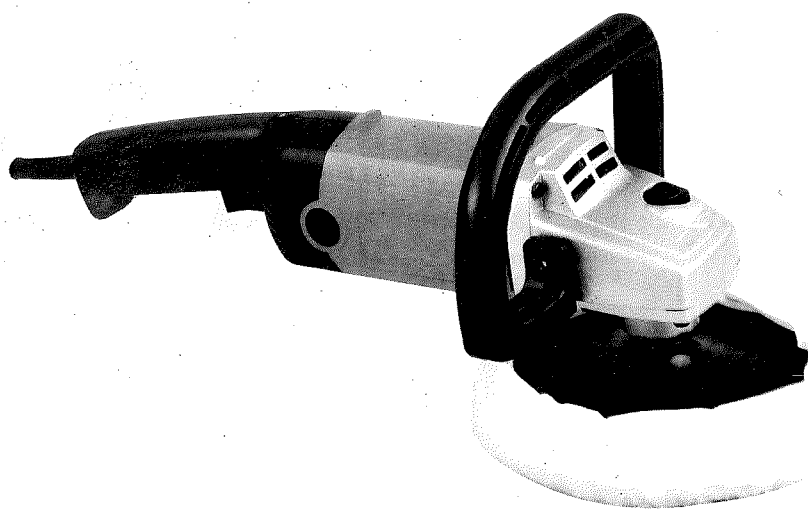


MultiMarine[®]

Poleringsmaskin



INSTRUCTION MANUAL



Eng.

1. Structure and use

This tool belongs to H type of electric-driving tools, safe and reliable, advanced technological level, high efficiency, convenient repair it is the ideal tool for working on automobiles, furniture decorating and etc.

2. Technical parameter

Power: 230V50Hz

Rated power: 1050W

Speed: 800-3000 rotate/min

Dim of Polish Machine: 180mm

3. Safety instruction

Before using this tool, please carefully read following safety instruction so as to avoid any unexpected accidents such as fire, electric shock or injuries.

1. Clean the surrounding space of the tool.. Disordered working surrounding or working table can cause accidents.
2. The safe working environment. Do not use the tool in the dark and wet areas, do not put the inflammable liquids or gas nearby the working tool. Please do not put the tool under the rain.
3. Avoid electric shock! To avoid danger, don't touch any metal materials and electric appliances connected to the ground, such as: water tube, hear radiator, refrigerator during working period.
4. Keep all visitors(especially children) away from working area. Don't let the visitors touch the tool and wire .
5. wear proper working uniform. No loose cloth during work, it is very easy to get caught into the moving tool in such a high speed. Please wear rubber glove and good shoes, ware protective hat if you have long hair.
6. Please wear mask and safety glasses during working..
7. Prevention of accidental starting .Make sure the power switch is OFF before plugging in. Disconnect the tool from power supply when change the polishing wheel.
8. Operate carefully. Do not operate the machine when feeling tired or not feeling well. Keep proper position and posture stand firmly all the time.
9. When used in outdoor. to use the specific extension cord.
10. Check working parts carefully to make sure that there is no hidden nail left behind before start working.

4. Operating instruction

1. Illustrations for Operating parts

auxiliary ring - locking handle, switch adjust wheel, switch self-locking button, switch button, brush cover

2. For your safety, please use auxiliary handle (see Figure 1)

The collar flange of the auxiliary ring-locking handle should properly fit into the groove of the head cover.

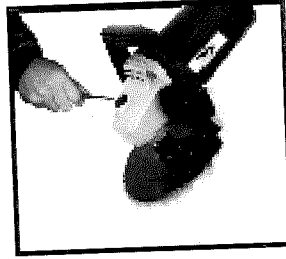


Fig 1

3. Auxiliary ring - locking handle can be installed in both directions screw, lever for hexagon screw.

4. When mounting or remove the polish wheel, press self-locking button, return to the original position after mounting the polishing wheel. (see Figure 2)



Fig 2

5. When the woolen wheel worn out, change the wheel and the woolen wheel must be concentric alignment with the polishing wheel.

6. Adjust speed regulator from 600rpm to 3000rpm according to requirement. It is the highest speed in the "6" position gradually slow down, lowest in the "1" position. (see the figure 4)
Speed regulating wheel. speed regulating position.



Fig 4

7. The perfect working angle for the machine (see figure 5). It is the best working angle when the woolen wheel is 15° to the working part.

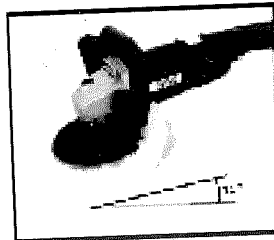


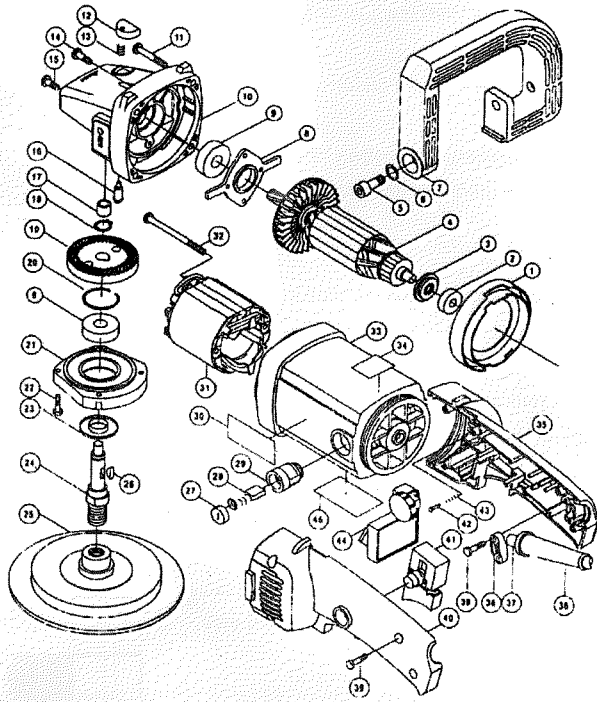
Fig 5

5. Auxiliary parts

Carbon brush 1 pc

woollen wheel 1 pc

hexagon spanner 1 pc



Parts List

1. Roller	12.Stop cover	23.Dust cover	34.Label
2. Bearing	13.Spring	24.Spindle	35.Handle(L)
3. Bearing cover	14.Screw M5x16	25.Wool wheel	36.Handle(L)
4. Rotor	15.Screw M5x12	26.Key 4x12	37.Cord
5. Screw M8x20	16.Stop pin	27.Brush cap	38.Cord flange
6. Washer	17.Bearing 0810	28.Carbon brush	39.Screw ST4.2x18
7. Handle	18.Axle Check Ring	29.Brush holder	40.Handle(R)
8. Bearing cover	19.Gear	30.Name plate	41.Switch
9. Bearing 6201	20.Axle Check Ring	31.Stator	42.Rivet 2x10
10. Gear box	21.Packing gland	32.Screw ST4.8x70	43.Spring
11. Screw ST4.8x35	22.Screw M4x16	33.Housing Ass'y	44.Switch